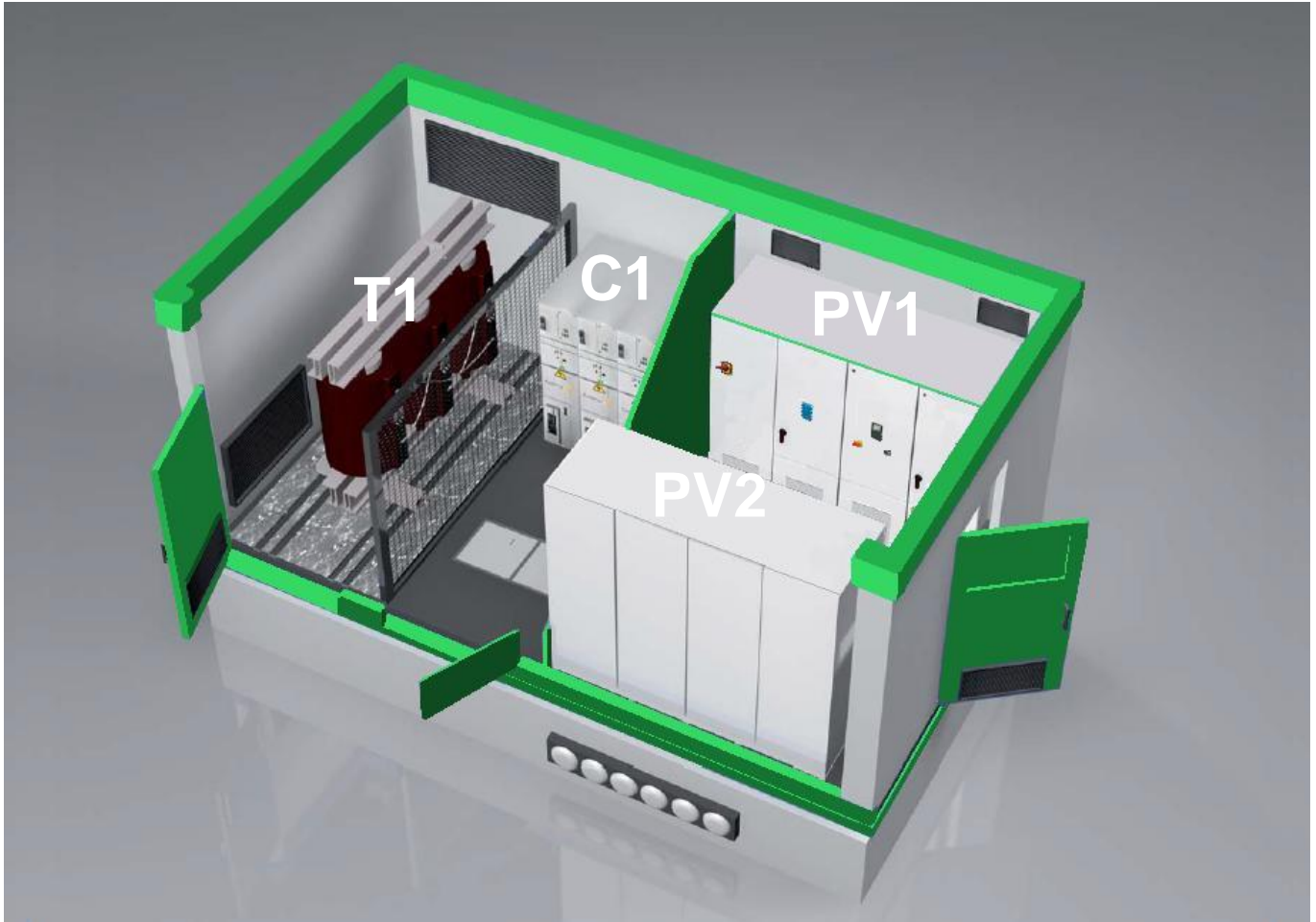
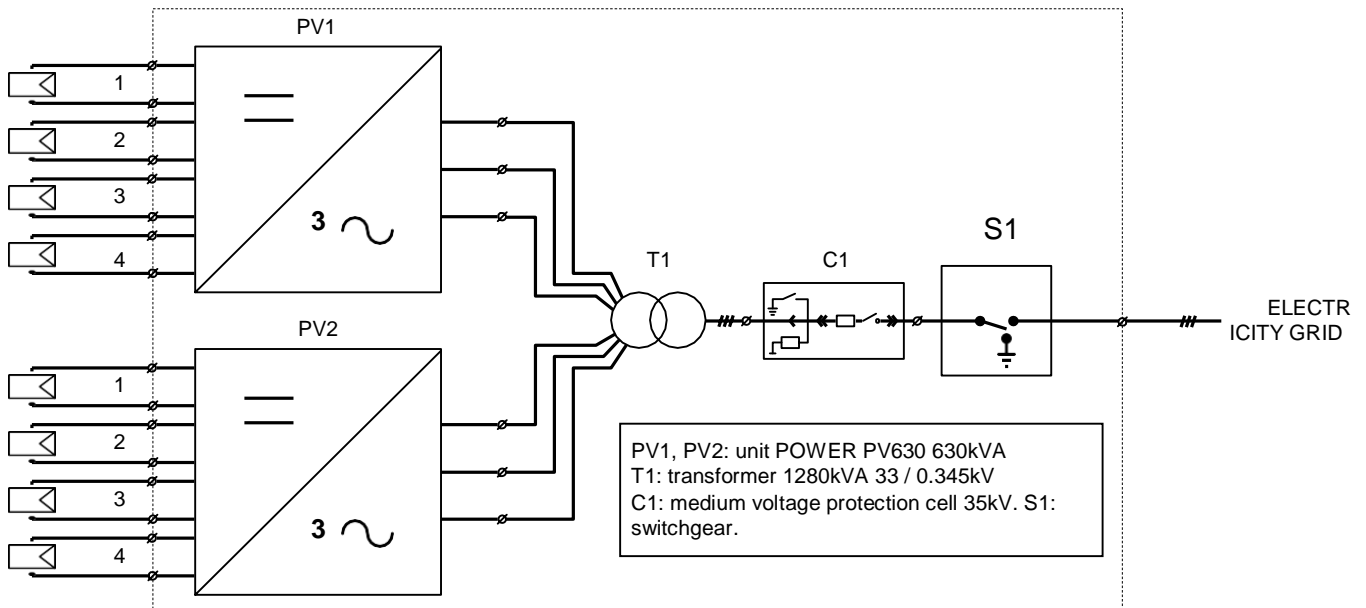


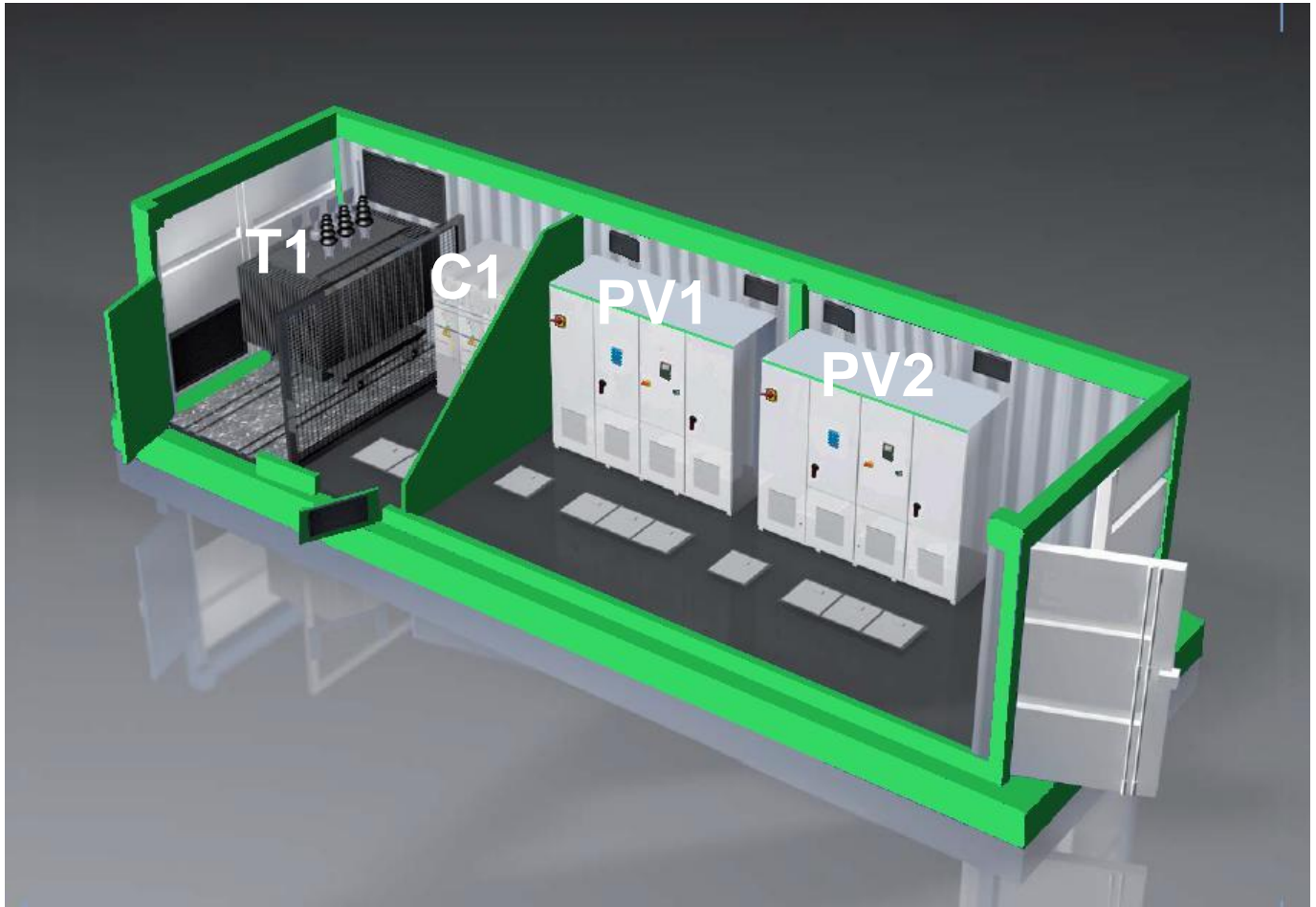
CONCRETE STATIONS 1MW / 1.25 MW



Standard Configuration



METAL STATIONS 1MW / 1.25 MW



Standard Configuration

